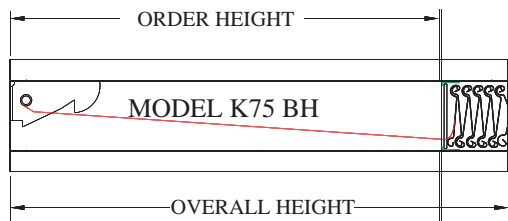


# MODEL K75 TYPE B

**UL CLASSIFIED 1-1/2 HOURS RATING**



(H) HORIZONTAL MOUNT

## APPLICATION

MODEL K75 IS APPROVED FOR USE IN WALLS, FLOORS AND PARTITIONS WITH FIRE RESISTANCE RATINGS LESS THAN 3 HOURS.

## STANDARD CONSTRUCTION

### FRAME.

4-1/4" (108mm) Maximum X 22 (0.85mm) gauge Galvanized steel channel.

### BLADES.

22 (0.85mm) gauge Galvanized steel curtain type out of the air stream.

### FINISH.

Mill.

### CLOSURE SPRINGS.

301 Stainless Steel Spring. (For Horizontal mount only, optional on vertical mount)

### FUSIBLE LINK.

Standard 165° F ( 74° C). Other available.

### MOUNTING.

Vertical or Horizontal .

### MINIMUM SIZE.

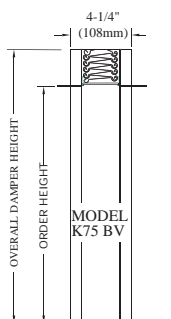
Vertical & Horizontal Installation:  
4"Wx 4"H (100 x 100mm).

### MAXIMUM SIZE.

Single Section Vertical & Horizontal Installation:  
60"Wx 53"H (1520 x 1350mm).

Multiple Section Vertical Installation:  
120"Wx 120"H. (3050 x 3050mm).

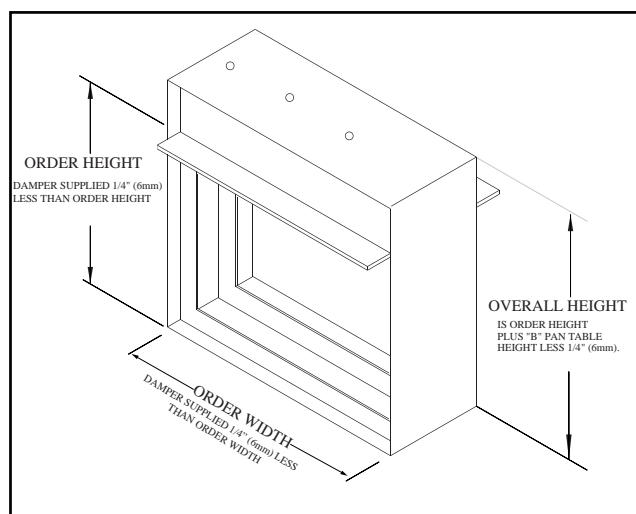
Multiple Section Horizontal Installation:  
68"Wx 96"H. (1730 x 2440mm).



(V) VERTICAL MOUNT

## FEATURES.

- \*Each damper is marked with a 1-1/2 hours UL 555 Classified fire damper label.
- \*Meets all UL and NFPA criteria for primary fire dampers in walls and floors with fire resistance ratings of less than 3 hours.



## VARIATION.

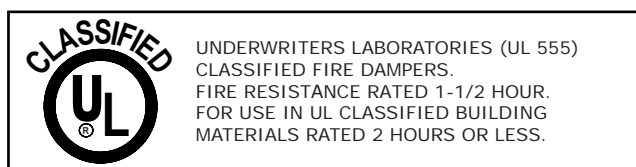
All UL Classified fire dampers must be fabricated in accordance with UL procedures. Available variation are limited to those incorporated in the approved procedures. Approved variations available at additional cost are :

- \*Factory furnished sleeves.

Sleeves are available in 10 (3mm) through 20 (1mm) gauge steel and in lengths required for the specific application.

## NOTES.

- \* Dampers furnished approximately 1/4"(6mm) smaller than given duct dimension
- \* Refer to the KBE Installation Instruction and supplements for complete installation details.

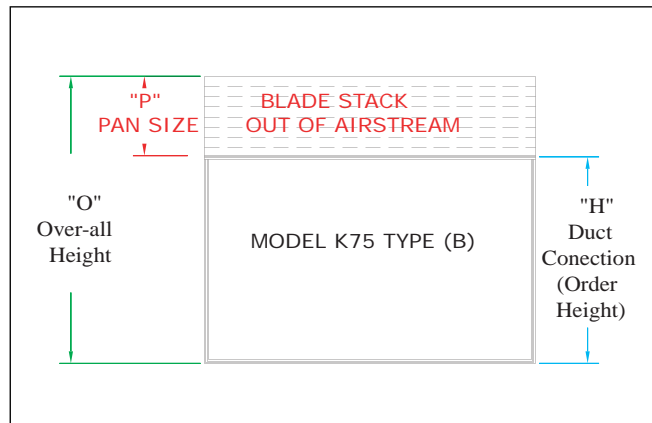
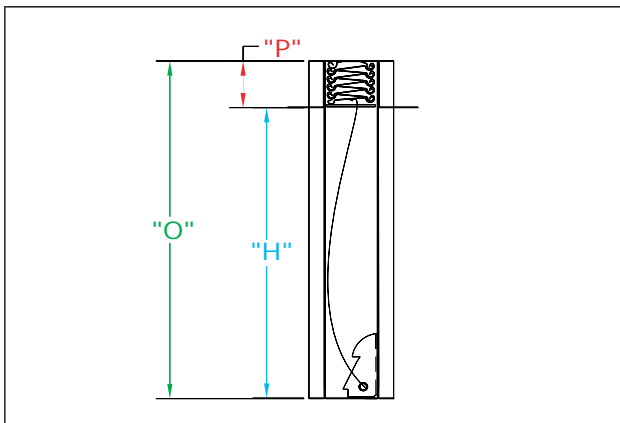


# MODEL K75 TYPE B

## PAN SIZING CHART

### Maximum Overall Sizes

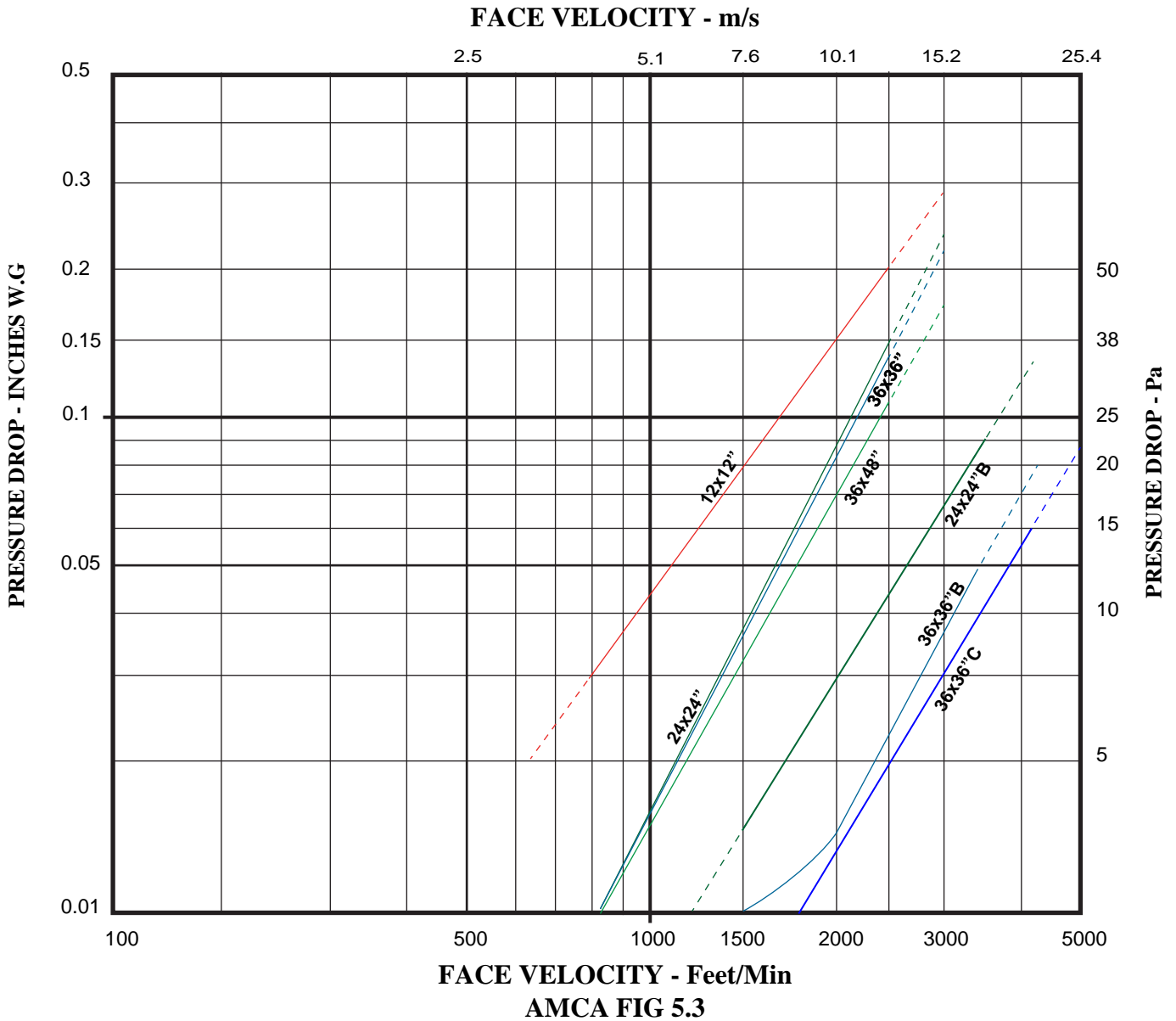
Type Installation	Single Section Width X Height	Multiple Section Width X Height
Vertical	60" X 53" (1520 x 1350 mm)	120" X 120" (3050 x 3050 mm)
Horizontal	60" X 53" (1520 x 1350 mm)	68" X 96" (1730 x 2440 mm)



"H" Duct Opening Order Size in Inch (mm)	"O" Over-all Height in Inch (mm)	"P" Pan Size in Inch (mm)
4 (102)	5 (127)	1 (25)
5 (127)	6 (152)	1 (25)
6 (152)	7 (178)	1 (25)
7 (178)	8 (203)	1 (25)
8 (203)	10 (254)	2 (51)
9 (229)	11 (179)	2 (51)
10 (254)	12 (305)	2 (51)
11 (179)	13 (330)	2 (51)
12 (305)	14 (356)	2 (51)
13 (330)	15 (381)	2 (51)
14 (356)	16 (406)	2 (51)
15 (381)	17 (432)	2 (51)
16 (406)	18 (457)	2 (51)
17 (432)	20 (508)	3 (76)
18 (457)	21 (533)	3 (76)
19 (483)	22 (559)	3 (76)
20 (508)	23 (584)	3 (76)
21 (533)	24 (610)	3 (76)
22 (559)	25 (635)	3 (76)
23 (584)	26 (660)	3 (76)
24 (610)	27 (686)	3 (76)
25 (635)	28 (711)	3 (76)
26 (660)	29 (737)	3 (76)

"H" Duct Opening Order Size in Inch (mm)	"O" Over-all Height in Inch (mm)	"P" Pan Size in Inch (mm)
27 (686)	31 (787)	4 (102)
28 (711)	32 (813)	4 (102)
29 (737)	33 (838)	4 (102)
30 (762)	34 (864)	4 (102)
31 (787)	35 (889)	4 (102)
32 (813)	36 (914)	4 (102)
33 (838)	37 (940)	4 (102)
34 (864)	38 (965)	4 (102)
35 (889)	39 (991)	4 (102)
36 (914)	41 (1041)	5 (127)
37 (940)	42 (1067)	5 (127)
38 (965)	43 (1092)	5 (127)
39 (991)	44 (1118)	5 (127)
40 (1016)	45 (1143)	5 (127)
41 (1041)	46 (1168)	5 (127)
42 (1067)	47 (1194)	5 (127)
43 (1092)	48 (1219)	5 (127)
44 (1118)	49 (1245)	5 (127)
45 (1143)	51 (1295)	6 (152)
46 (1168)	52 (1321)	6 (152)
47 (1194)	53 (1346)	6 (152)
48 (1219)	54 (1372)	6 (152)
49 (1245)	55 (1397)	6 (152)
50 (1270)	56 (1422)	6 (152)
51 (1295)	57 (1448)	6 (152)
52 (1321)	58 (1473)	6 (152)
53 (1346)	59 (1499)	6 (152)

# MODEL K75 PERFORMANCE DATA



## AMCA Test Figures

Figure 5.3 Illustrates a fully ducted damper. This configuration has the lowest pressure drop of the test configurations because entrance and exit losses are minimized by straight duct runs upstream and downstream of the damper.

Pressure drop for type C is applicable for Cr & CO

