



Model K-FRAD FIRE RATED ACCESS PANEL

UL10B FIRE RESISTANCE RATING: 1-1/2 HOUR

APPLICATION:

KBE Fire rated access doors provide a practical way to access components installed behind vertical partitions or walls with fire resistance rating up to 2hrs.

STANDARD CONSTRUCTION

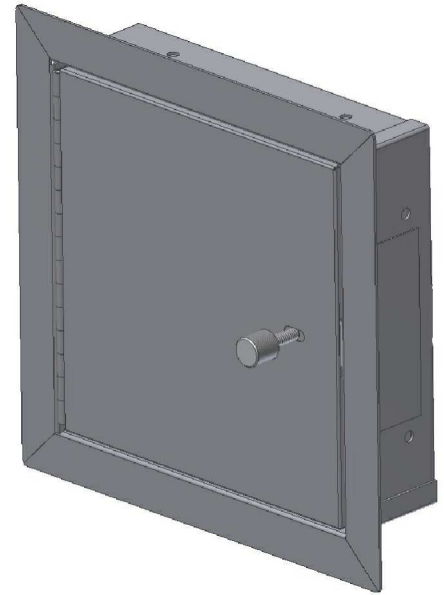
Frame: Heavy duty 16GA galvanized steel

Door Panel: 20GA double skin galvanized steel.

Insulation: 2" thickness of ceramic fiber insulation

Attachment: Continuous Piano Hinge type.

Access panel hardware: actuated by rotational means using a key driver, with an automatic closure coil spring and a self-latching internal slam release.



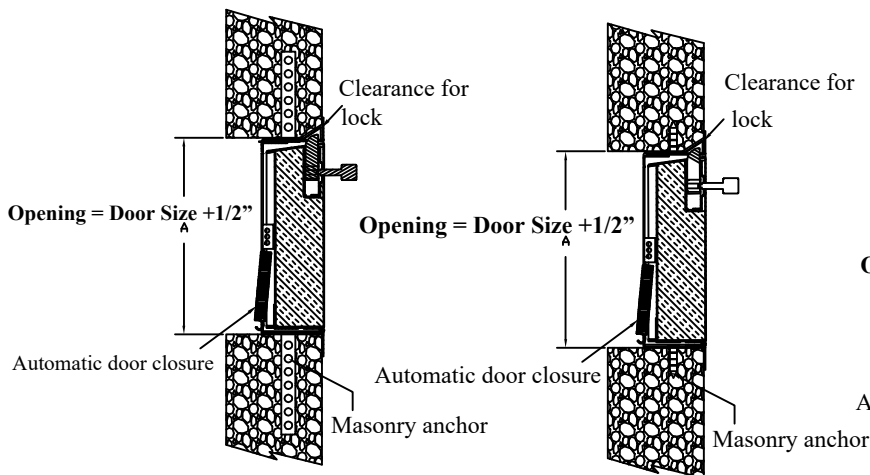
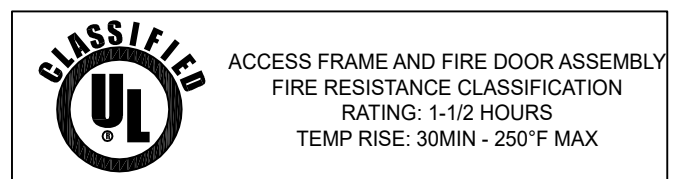
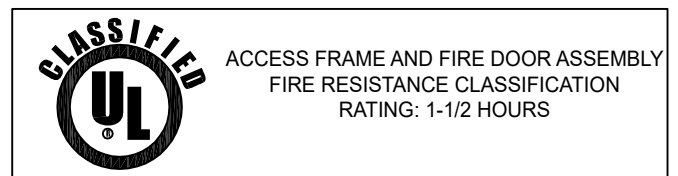
FINISH

Any RAL color

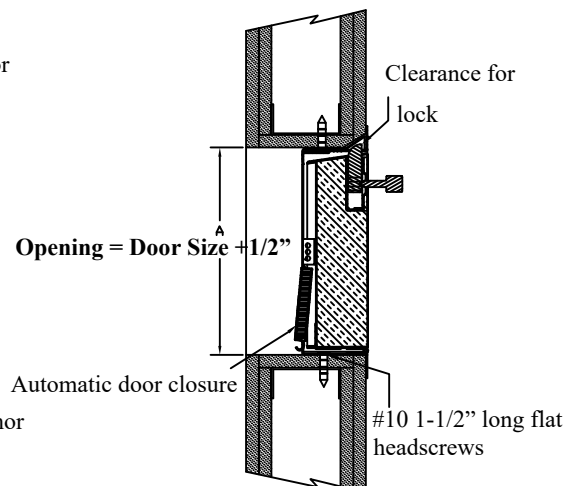
SIZES

Minimum sizes: 8"width X 8" height

Maximum sizes: 24"width X 24" height



TYPICAL MASONRY INSTALLATION



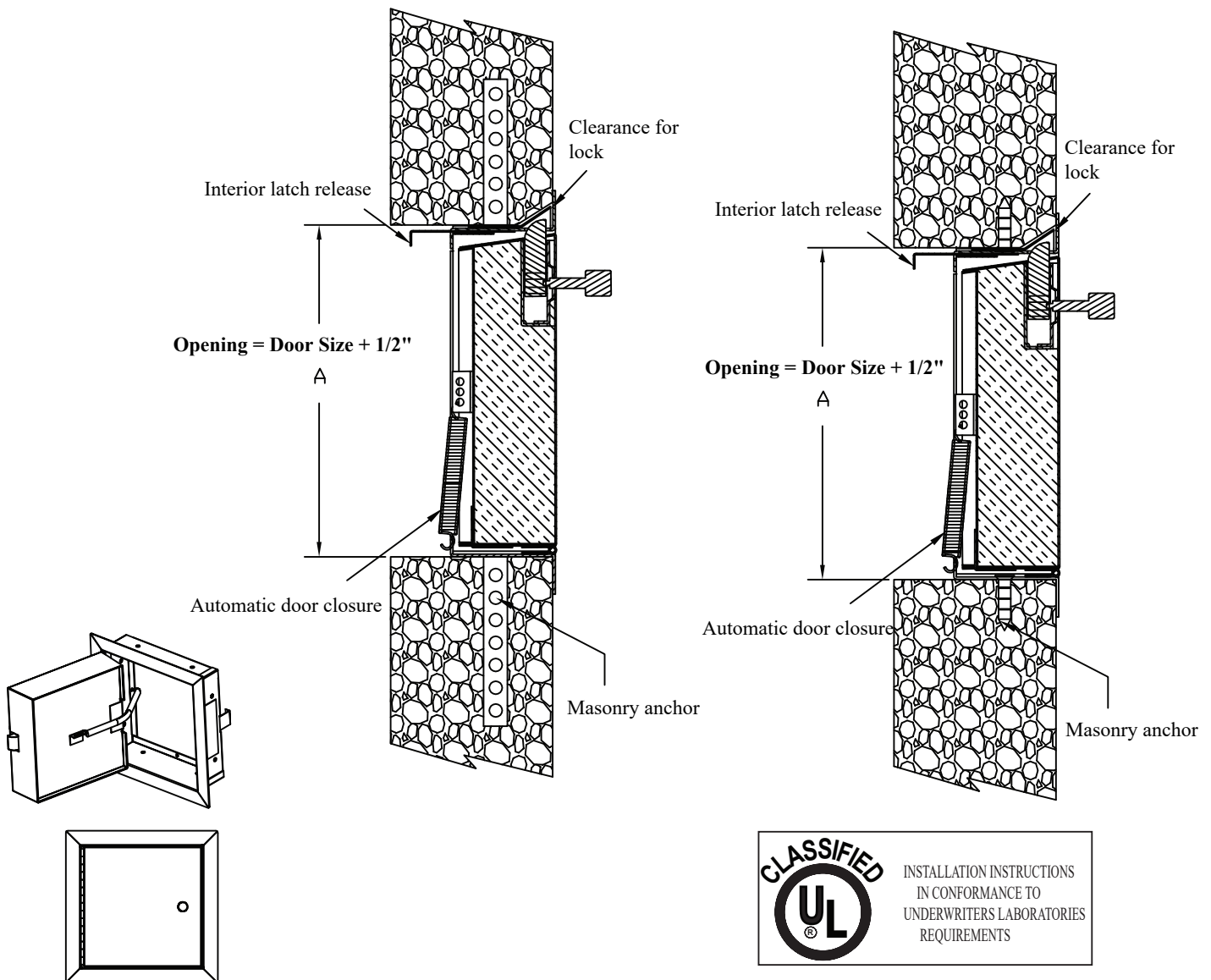
TYPICAL STUD WALL INSTALLATION PAGE: 1/3



INSTALLATION INSTRUCTIONS MODEL K-FRAD 1-1/2 HOUR FIRE RATED ACCESS PANEL

1. Opening to be 1/2" larger than catalog size listed, i.e. 8"x8" will require a 8-1/2" x 8-1/2" opening. A notched area is required for lock bolt clearance.
2. For walls under construction unfold masonry anchors from frame to attachment.
3. For walls already in place, position door in opening mark hole locations on wall using holes in hinge side and latch side of door frame.
4. Remove door and install expansion shields at marked locations.
5. Place door in opening attach with 1" long flat head screws or equivalent flat head fastener.
6. Check operation of door shim if necessary to remove any racking of frame.

MASONRY INSTALLATION DETAIL





INSTALLATION INSTRUCTIONS MODEL K-FRAD 1-1/2 HOUR FIRE RATED ACCESS PANEL

1. Opening to be 1/2" larger than catalog size listed, i.e. 8" x 8" require a 8-1/2" x 8-1/2" opening. A notched area is required for lock bolt clearance.
2. Frame above and below access door.
3. Install double studs on both sides for doors larger than 16" x 16".
4. Position door in opening mark hole locations on wall using holes in hinge side and latch side of door frame.
5. Place door in opening attach with 1-1/2" long flat head screws or equivalent flat head fastener.
6. Check operation of door shim if necessary to remove any racking of frame.

STUD WALL INSTALLATION DETAIL

