

CEILING DIFFUSER-LOUVERED FACE SQUARE SWIRL DIFFUSER Series

SCD400

APPLICATION

SCD400 is applied for areas of high heat load where large quantities of cool air must be rapidly mixed with room air. This would include industrial applications with ceilings from 2.4m to 3.6m height. For areas which require an entire air change in a short period of time, up to 30 changes per hour. For open office environments, multiple units can be arranged in a row or more than one row. A Damper can be adjusted for volume flow rate balancing.



FEATURED STANDARD CONSTRUCTION

•**DIFFUSER:**

- Constructed of 1.0 mm iron steel sheet face diffuser with fixed blades

•**INLET NECK:**

- Constructed from 22 gauge galvanized steel.

•**FINISH:**

- Standard finish is RAL 9010

•**SIZES:**

- Face Size : 595 x 595 mm
- Inlet Size : 300 mm Diameter

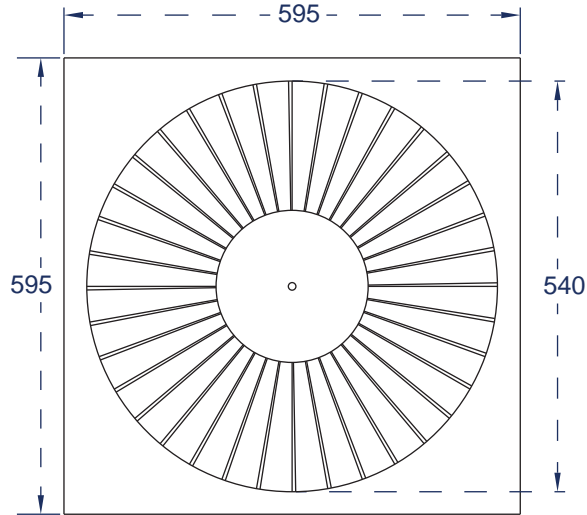
OPTIONS

- All type of RAL finishing.
- A perforated regulating Damper can be added
 - The damper is constructed from 0.8 mm thickness galvanized perforated sheet with a 4 mm pitch from hole to hole.
 - The standard color of damper is RAL 9010.
 - The damper can be adjusted with a screw for volume flow rate balancing.

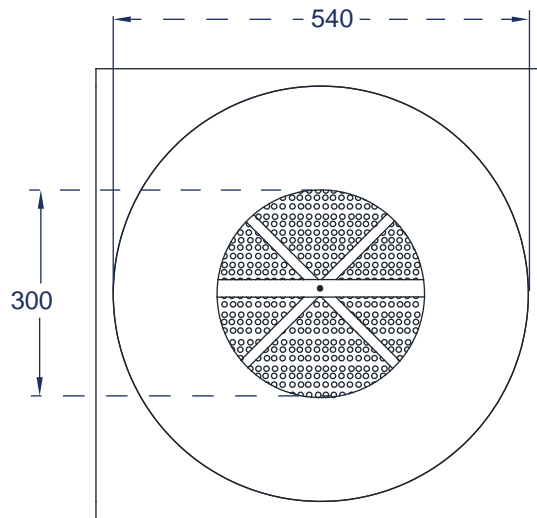
N.B: - For non standard sizes, please consult our engineers

ILLUSTRATION

Face
View



Rear
View



Side
View



N.B: - Illustration dimensions are in mm