

HIGH PERFORMANCE JET NOZZLE

RING TYPE KJN201



APPLICATION

KJN201 ring jet nozzle is designed for areas where a long throw is needed. The large free area allows handling of large airflow rates with low pressure loss. Adjustable core may be rotated through 360° and concentric deflection rings can be tilted up and down by 30° from mid position producing a wide variation in air jet angles. Can be used in cooling or heating supply or return applications in ceilings, side walls or directly ducted.

FEATURED STANDARD CONSTRUCTION

•CONSTRUCTION:

- Constructed from 1 mm aluminum sheets.

•SIZES:

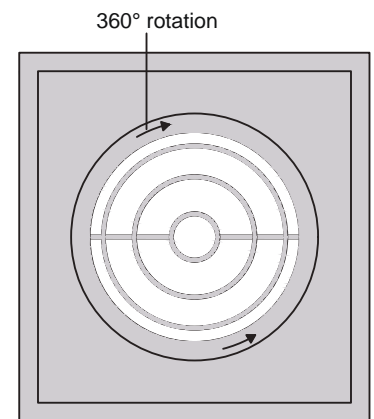
- Nominal sizes 100, 150, 200, 250, 300, 350 and 400 mm.

•FINISH:

- RAL 9010 White Finish.

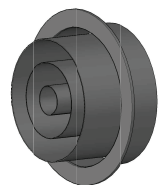
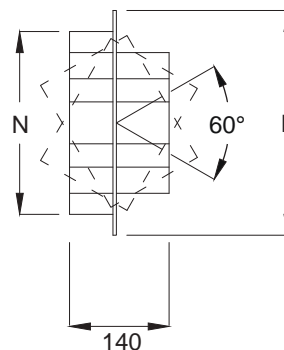
OPTIONS

- Rectangular 1 mm Aluminum panel (with or without flange) for mounting up to 4 diffusers.
- Plenum Box.
- Plenum Box with Round Volume Damper.
- All types of RAL finishing.



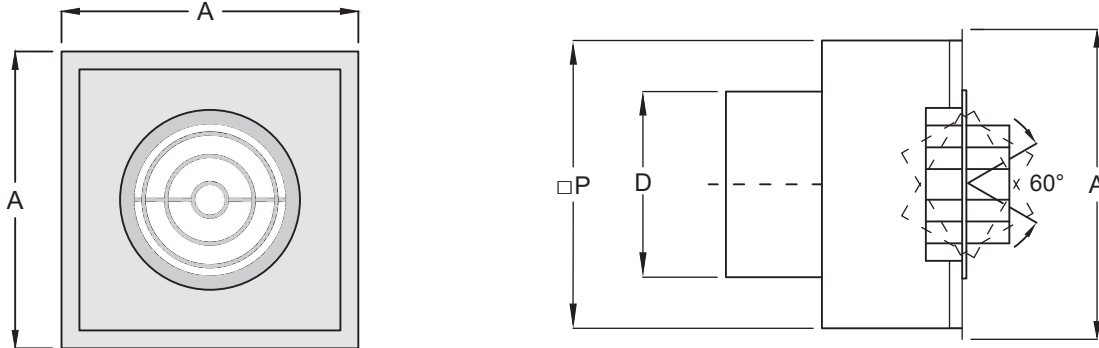
STANDARD SIZES

Order Size (mm)	N: Neck Size (mm)	F: Face Size (mm)	Diffuser Depth (mm)
100	95	150	140
150	145	200	140
200	195	250	140
250	245	300	140
300	295	350	140
350	345	400	140
400	395	450	140



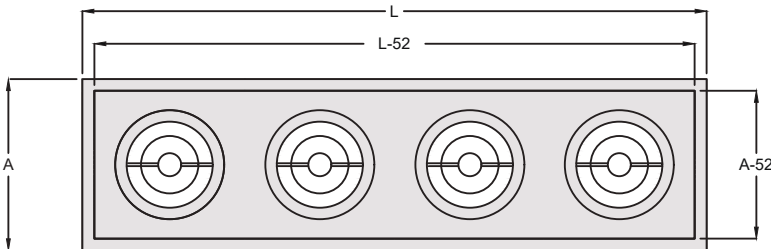
FLANGED PANEL

Plenum Box for 1 Element

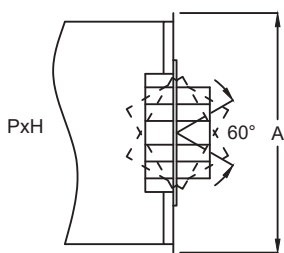


Dimensions (mm)				
Order Size	A	□ P	D: Inlet Diameter	Depth
100	268	226	100	170
150	318	276	150	170
200	368	326	200	170
250	418	376	250	170
300	468	426	300	170
350	518	476	350	170
400	568	526	400	170

For Multiple Elements



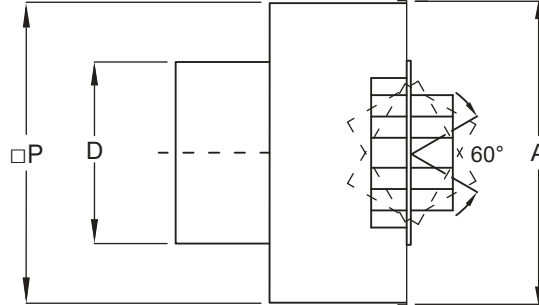
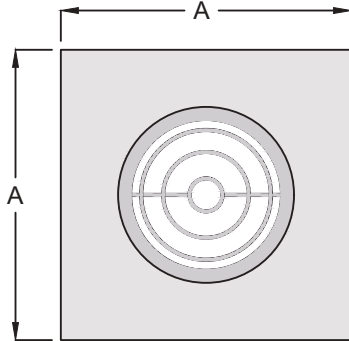
Order Size \ Number of Elements	Panel Length L (mm)						
	100	150	200	250	300	350	400
2	468	568	668	768	868	968	1068
3	668	818	968	1118	1268	1418	1568
4	868	1068	1268	1468	1668	1868	2068



Order Size \ Number of Elements	Duct/Plenum Size PxH						
	100	150	200	250	300	350	400
2	426x226	526x276	626x326	726x376	826x426	926x476	1026x526
3	626x226	776x276	926x326	1076x376	1226x426	1376x476	1526x526
4	826x226	1026x276	1226x326	1426x376	1626x426	1826x476	2026x526

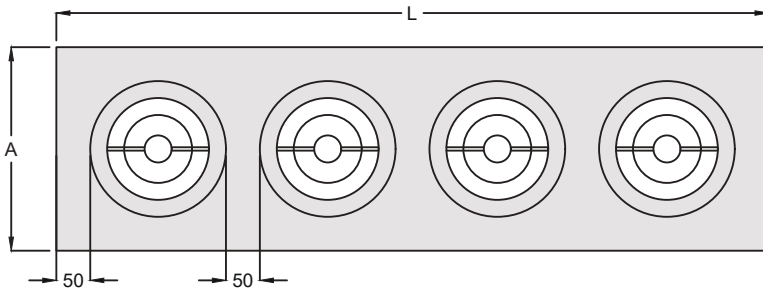
NON-FLANGED PANEL

Plenum Box for 1 Element

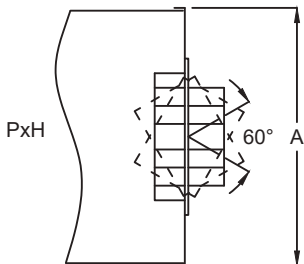


Dimensions (mm)				
Order Size	A	□ P	D: Inlet Diameter	Depth
100	250	250	100	170
150	300	300	150	170
200	350	350	200	170
250	400	400	250	170
300	450	450	300	170
350	500	500	350	170
400	550	550	400	170

For Multiple Elements



		Panel Length L						
Number of Elements	Order Size	100	150	200	250	300	350	400
	2		450	550	650	750	850	950
3		650	800	950	1100	1250	1400	1550
4		850	1050	1250	1450	1650	1850	2050



		Duct/Plenum Size PxH						
Number of Elements	Order Size	100	150	200	250	300	350	400
	2		450x250	550x300	650x350	750x400	850x450	950x500
3		650x250	800x300	950x350	1100x400	1250x450	1400x500	1550x550
4		850x250	1050x300	1250x350	1450x400	1650x450	1850x500	2050x550