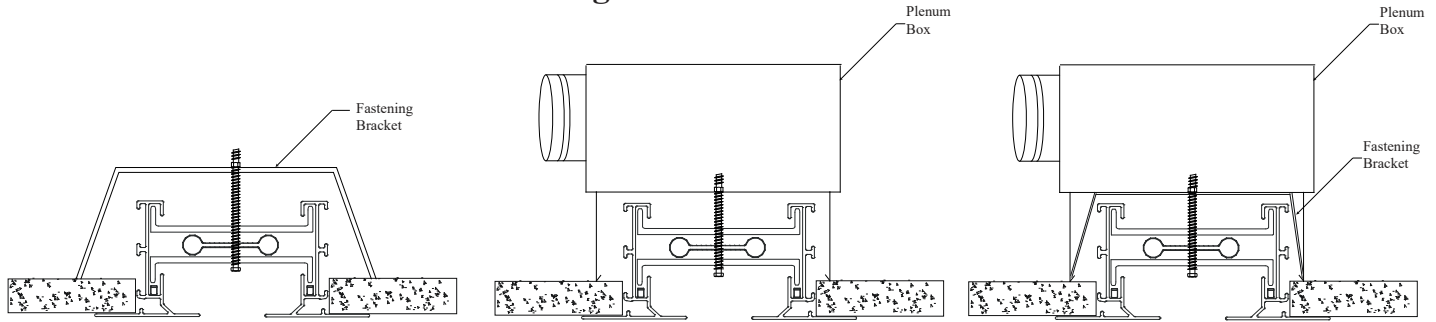


# MODEL LFB Series LINEAR FLOW BAR DIFFUSERS INSTALLATION INSTRUCTION

Wall and Ceiling installation are considered the same.

## Flange Frame "FF"



### Fastening bracket

- Fastening bracket is supplied separately by KBE
- M6 bolt supplied by KBE
- Number of bracket : every 1.5 m

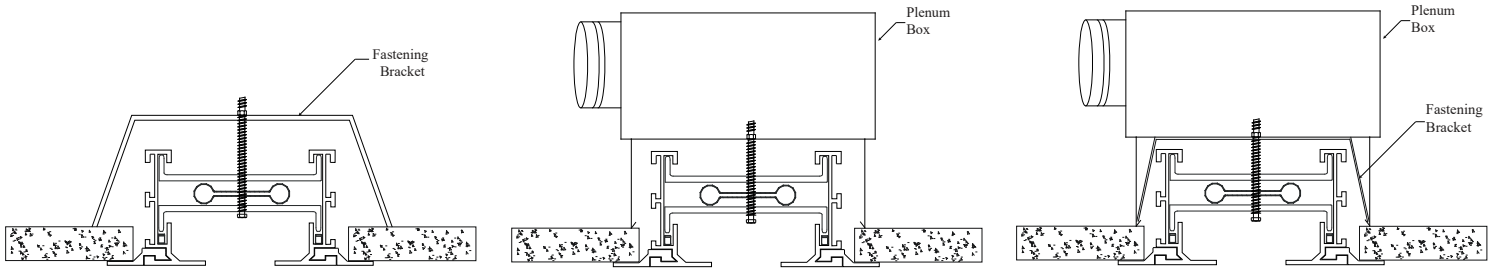
### Screw with plenum box

- Direct fixation to the plenum box with a screw.
- M6 thread supplied by others
- Number of screws : every 1.5 m

### Bracket with plenum box

- Fastening bracket is supplied separately by KBE
- M6 bolt supplied by KBE
- Number of bracket : every 1.5 m

## Removable Frame "RF"



### Fastening bracket

- Fastening bracket is supplied separately by KBE
- M6 bolt supplied by KBE
- Number of bracket : every 1.5 m

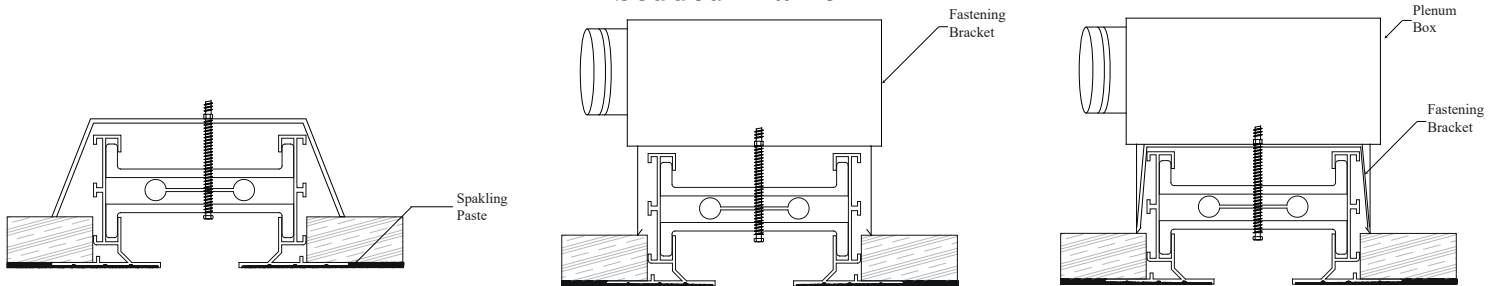
### Screw with plenum box

- Direct fixation to the plenum box with a screw.
- M6 thread supplied by others
- Number of screws : every 1.5 m

### Bracket with plenum box

- Fastening bracket is supplied separately by KBE
- M6 bolt supplied by KBE
- Number of bracket : every 1.5 m

## Embedded Frame "EF"



### Fastening bracket

- Fastening bracket is supplied separately by KBE
- M6 bolt supplied by KBE
- Number of bracket : every 1.5 m

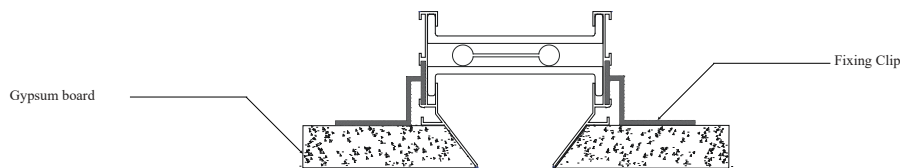
### Screw with plenum box

- Direct fixation to the plenum box with a screw.
- M6 thread supplied by others
- Number of screws : every 1.5 m

### Bracket with plenum box

- Fastening bracket is supplied separately by KBE
- M6 bolt supplied by KBE
- Number of bracket : every 1.5 m

## Hidden Frame "VF"



### Fastening bracket

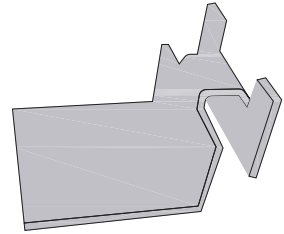
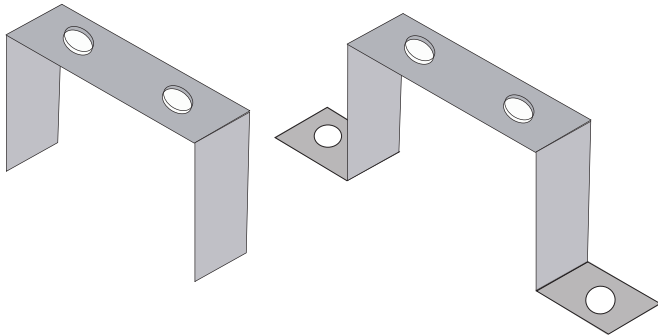
- Fixing clip is supplied separately by KBE.
- Gypsum board thickness must be provided by the client.
- Relevant fixing clip size is related to gypsum board thickness.
- Number of bracket : every 1.5 m on each side



# MODEL LFB Series LINEAR FLOW BAR DIFFUSERS INSTALLATION INSTRUCTION

## MB MOUNTING BRACKET

## FIXING CLIP



Follow these Installation Instruction.

- 1- Provide access to the blade holder
- 2- Insert #8 screw through the blade holder(if bracket is supplied by KBE) or Sheet Metal screw if bracket not supplied by KBE
- 3- Insert the Screw in the rivet screw attached to the Mounting bracket (if Bracket supplied by KBE), or drill a hole in the Bracket with the sheet metal screw.
- 4- For Unit with Plenum Box -Push bracket into Hemmed Duct until bracket Snaps in place
- 5- For Unit without Plenum Box -Center the bracket well placed on the top of the false ceiling
- 6- Tighten screw until unit is flush the ceiling

Follow these Installation Instruction.

- 1- Provide gypsum board thickness
- 2-Slide the fixing clip inside the diffuser frame.
- 3- Settle the fixing clip on the gypsum board.

