

# MODEL LFB Series LINEAR FLOW BAR DIFFUSERS

## APPLICATION

**KBE** Flow Bar Systems satisfy both the architect's and engineer's requirements for air distribution system that will maintain optimum room air conditions while being inconspicuous to the viewer. The KBE Flow Bar linear system is a continuous slot system which allows the air distribution while fully integrated the ceiling system and its components. Jet Throw (JT) is an excellent choice for high bay application perimeter zones requiring vertical projection, typically installed on walls. High Throw (HT) Throw Pattern controller allows air to be directed to the left or right horizontally as well as downward when installed in a ceiling system, surface effect is maintained, even at reduced volumes to provide room air motion without drafts. The High Throw (HT) can be alternated with the Long Throw (LT) Pattern controller where it is more dedicated to direct air horizontally.

## FEATURED STANDARD CONSTRUCTION

### •Frame:

- Constructed of extruded aluminum alloy 6063-T5
  - Fixed Frame (FF)
  - Angle end cap is provided.

### • Frame Partition:

- Constructed of extruded aluminum alloy 6063-T5

### • Deflectors:

- Constructed of extruded aluminum alloy 6063-T5
- Deflectors color: Black
- The fully adjustable deflectors allow for air pattern to be controlled from vertical straight down to horizontal along the ceiling.

### • Sizes:

- Standard slot sizes are 1, 1½", 2", 2½", 3".
- Minimum length of 8".
- Length up to 114" full section. Multi-Sections are joined with alignment strips for continuous appearance .

### • Finish:

- Standard finish is white color ( RAL 9010) for face of the diffuser & black (RAL 9005) for the deflectors.

## OPTIONS

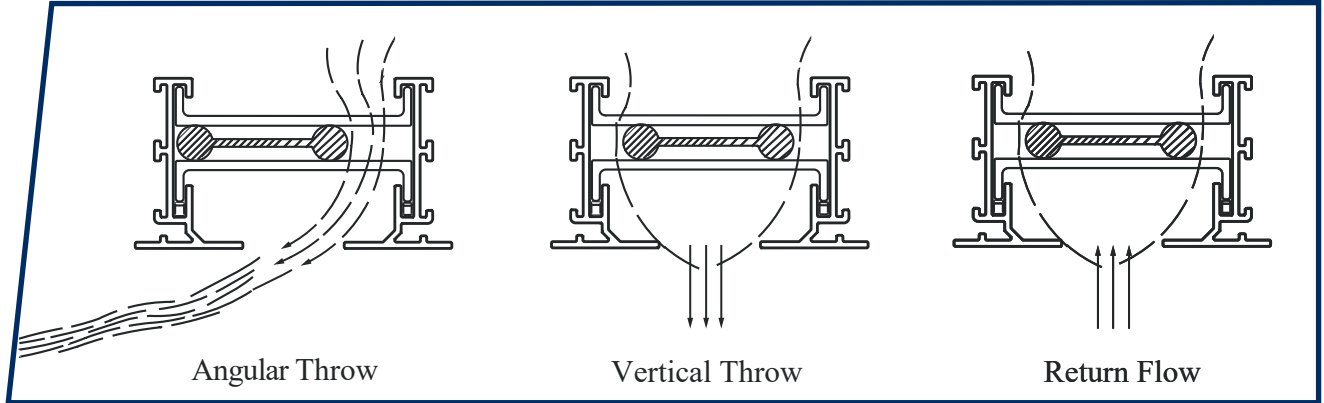
- ½" extended frame factory removable (RF), Frameless (F0) & V-shape hidden frame (VF) & (EF) Embedded hidden frame under spackling paste.
- Mitered corner for ceiling & wall application. (90° angle or any special angle).
- Curved for ceiling application.
- Open end & Flush end are available.
- BO metal blank-off.
- LS Light Shield.
- Other color available upon request.
- Plenum box - insulated or non-insulated.

**N.B:** For corner edge (wall) a drawing showing the airflow should be provided.

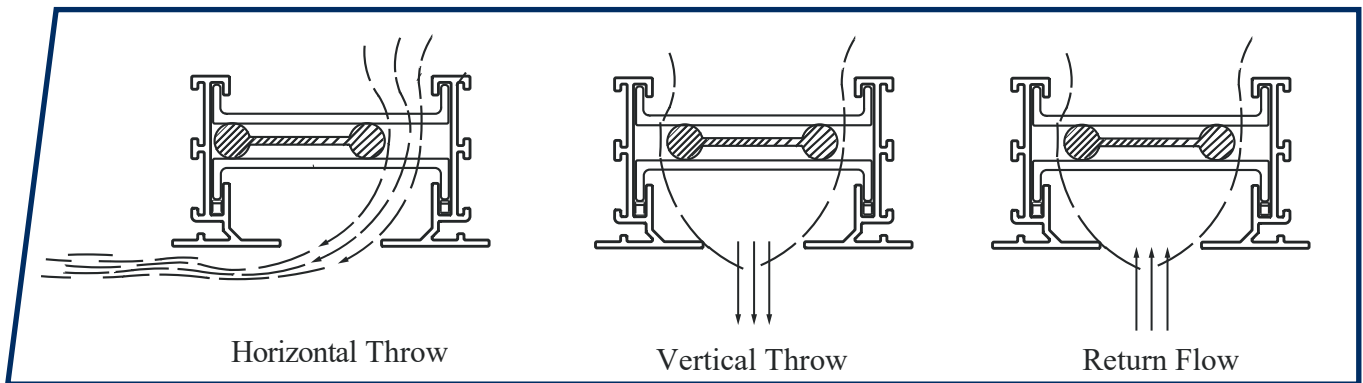
**N.B:** For V-Shape hidden frame (VF), Standard finish is black color (RAL9005) for face of the diffuser and for the deflectors. For (EF) standard finish is mill finish for the frames & black color (RAL9005) for the deflectors.

# MODEL LFB Series LINEAR FLOW BAR DIFFUSERS

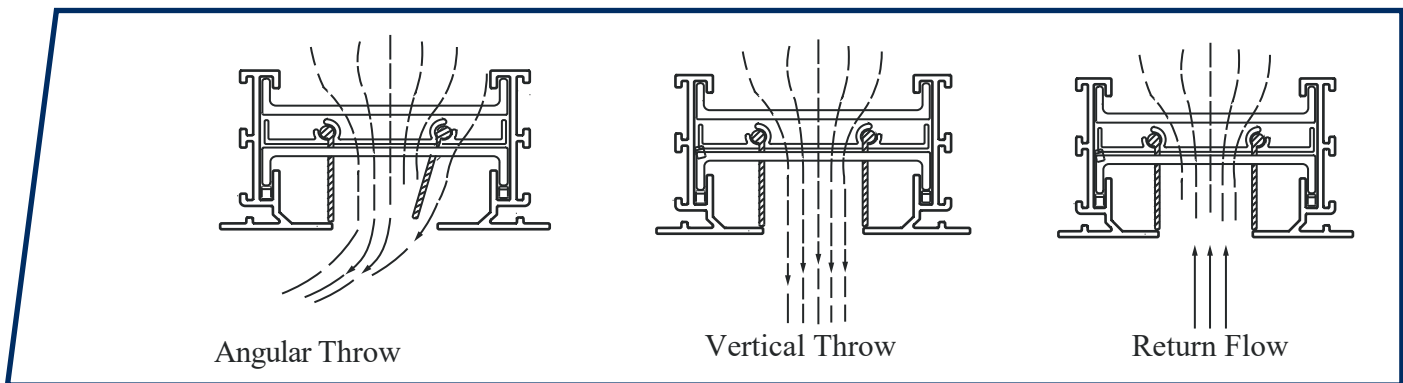
## ILLUSTRATION



### High Throw (HT Model)



### Long Throw (LT Model)



### Jet Throw (JT Model)

**Note:** Throw can be adjusted on site

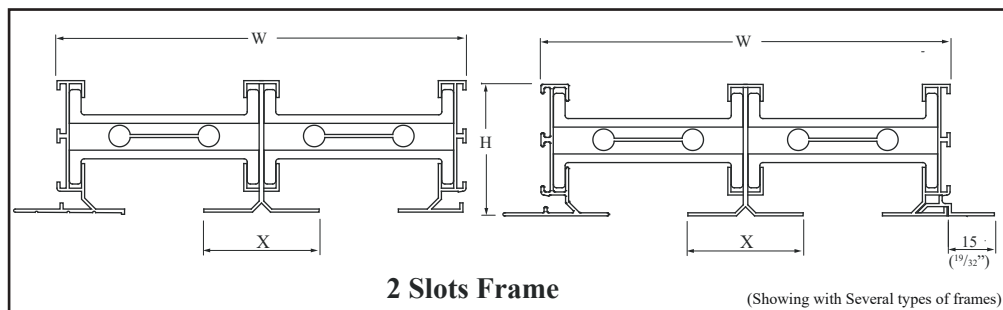
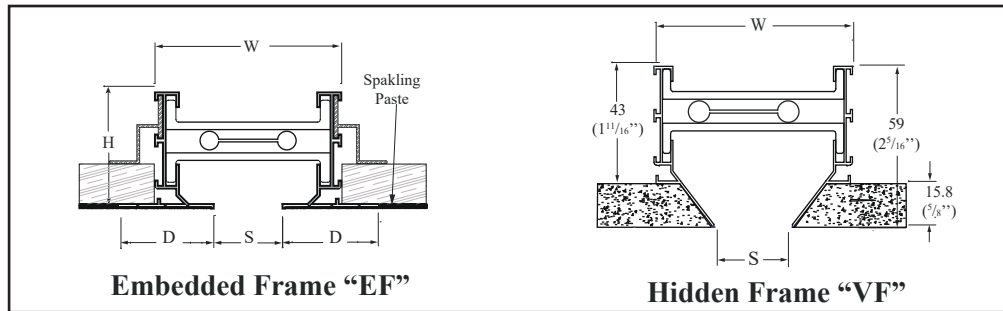
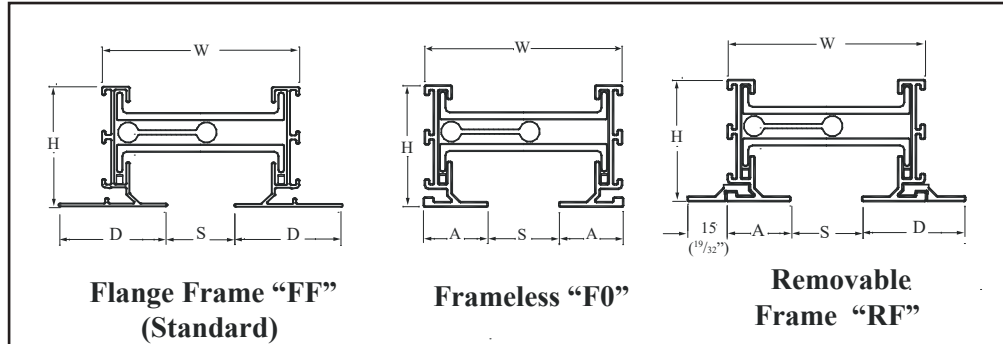
# MODEL LFB Series

## LINEAR FLOW BAR DIFFUSERS

### DIMENSIONS & BORDERS TYPE

#### MODELS

- LFB-10 1" Slot
- LFB-15 1½" Slot
- LFB-20 2" Slot
- LFB-25 2½" Slot
- LFB-30 3" Slot



Number of Slots	Slot "S" Width	W Width	A Border	D Border	X 2 Slots	H HT, LT& JT Series	H VF Frame Only
<b>1</b>	25 (1")	70 (2¾")	21 (53/64")	36 (13/8")	---	43 (111/16")	59 (25/16")
	38 (1½")	95 (3¾")	28 (15/64")	42 (15/8")	---	43 (111/16")	59 (25/16")
	51 (2")	120 (4¾")	35 (123/64")	50 (115/16")	---	43 (111/16")	59 (25/16")
	64 (2½")	146 (5¾")	40 (119/32")	55 (23/16")	---	43 (111/16")	59 (25/16")
	76 (3")	171 (6¾")	47 (127/32")	62 (27/16")	---	43 (111/16")	59 (25/16")
<b>2</b>	25 (1")	133 (515/64")	21 (53/64")	36 (13/8")	37.5 (131/64")	43 (111/16")	---
	38 (1½")	182 (711/64")	28 (15/64")	42 (15/8")	50.5 (2")	43 (111/16")	---
	51 (2")	232 (97/64")	35 (123/64")	50 (115/16")	65 (235/64")	43 (111/16")	---
	64 (2½")	285 (1115/64")	40 (119/32")	55 (23/16")	76 (3")	43 (111/16")	---
	76 (3")	336 (137/32")	47 (127/32")	62 (27/16")	89 (31/2")	43 (111/16")	---

Dimensions are in mm (inches).

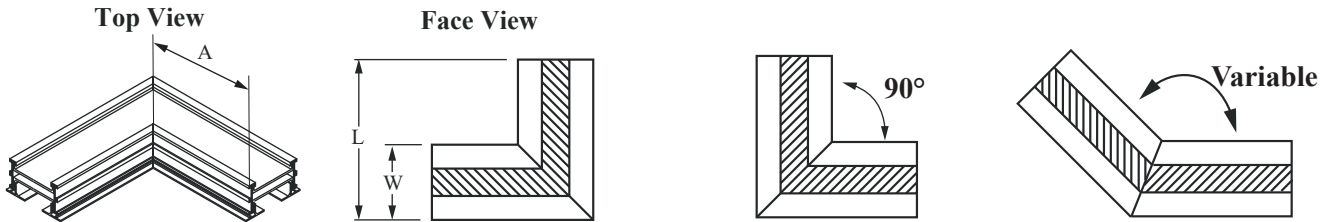
# MODEL LFB Series LINEAR FLOW BAR DIFFUSERS

## MITERED CORNERS

### CORNERS (C)

- Factory assembled mitered corner sections are available with 90° angle or any special angle.
- Mitered corners are provided with standard length of 40cm internal dimension, other lengths are provided upon request.
- Factory assembled mitered corners reduce field installation time and assure precise cutting and proper fit.
- Mitered corners are rendered inactive with factory installed blank-offs
- For corner edge (wall) a drawing showing the airflow should be provided.

### CEILING CORNERS



Ceiling Corner		Slot Width -- Framless					Slot Width -- With Frame				
No. of Slot	A = 400mm	1	1½	2	2½	3	1	1½	2	2½	3
1 Slot	L	470 (18½)	495 (19½)	520 (20½)	546 (21½)	571 (22½)	482 (19)	507 (20)	535 (21)	559 (22)	585 (23)
	W	70 (2⅔)	95 (3⅗)	120 (4⅗)	146 (5¾)	171 (6⅗)	97 (3⅘)	122 (4⅘)	150 (5⅙)	174 (6⅙)	200 (7⅙)
2 Slots	L	532 (20⅞)	593 (23⅓)	644 (25⅔)	695 (27⅔)	745 (29⅓)	545 (21½)	596 (23½)	652 (25⅞)	699 (27½)	750 (29½)
	W	132 (5⅓)	193 (7⅓)	244 (9⅓)	295 (11⅓)	345 (13⅓)	160 (6⅓)	211 (8⅓)	267 (10½)	314 (12⅓)	365 (14⅓)

NB: Dimensions are in mm (inches).

### WALL CORNERS



WALL Corner		Slot Width -- Framless					Slot Width -- With Frame				
No. of Slot	A = 400mm	1	1½	2	2½	3	1	1½	2	2½	3
1 Slot	W	70 (2⅔)	95 (3⅗)	120 (4⅗)	146 (5¾)	171 (6⅗)	97 (3⅘)	122 (4⅘)	150 (5⅙)	174 (6⅙)	200 (7⅙)
2 Slots	W	132 (5⅓)	193 (7⅓)	244 (9⅓)	295 (11⅓)	345 (13⅓)	160 (6⅓)	211 (8⅓)	267 (10½)	314 (12⅓)	365 (14⅓)

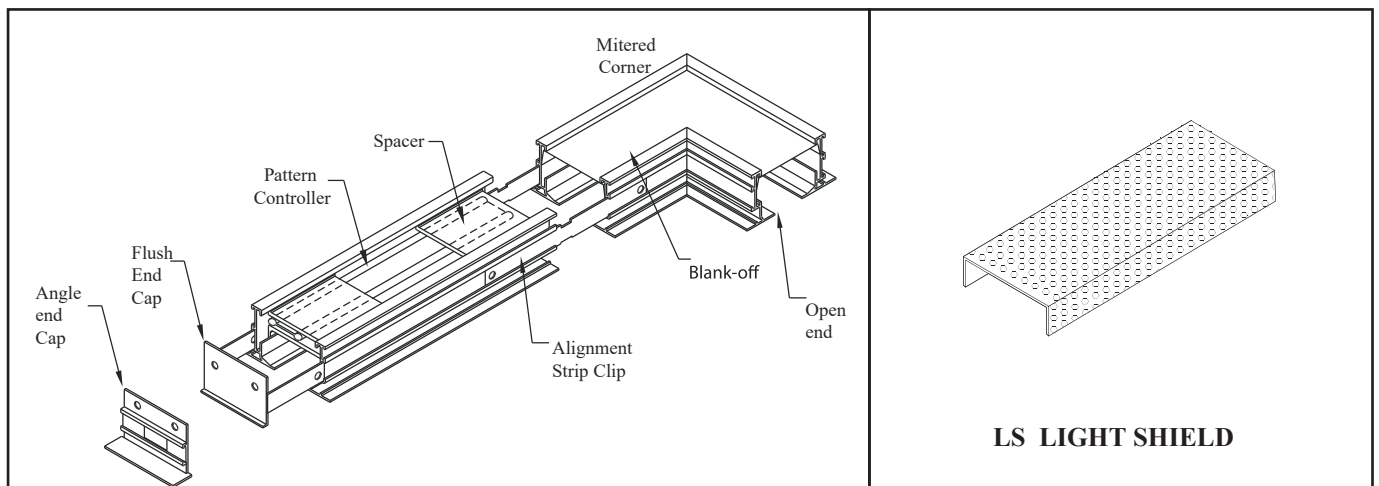
# MODEL LFB Series LINEAR FLOW BAR DIFFUSERS ACCESSORIES & CONFIGURATIONS

## CURVED CEILING LFB ( CU-CE)

Factory curved linear Flow Bar diffuser manufactured as arc or full circle for various radius & for 1 slot only. Curved flow bar are provided with air pattern for limited radiuses.



## ACCESSORIES



- End Caps to be specified upon ordering.
- Mitered Corners and Blank-offs are Optional
- Mitered Corners are rendered inactive with factory installed Blank-offs.
- FlowBar Diffusers can be joined together end to end to form long continuous runs.
- Alignment Strips maintain tight joints between sections and provide alignment for long continuous run
- Light Shield is used to cover non plenum return sections of the linear flowBar diffuser from light reflection. Shipped loose for field cutting and installation.